

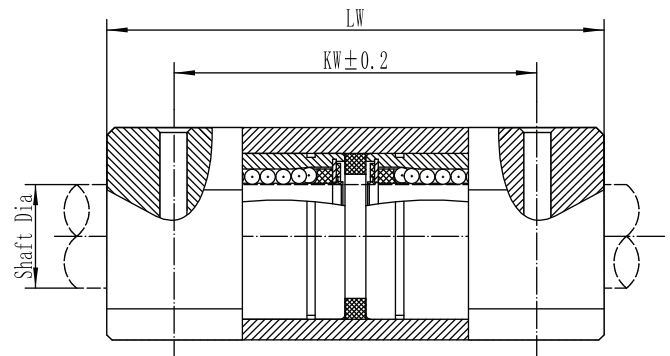
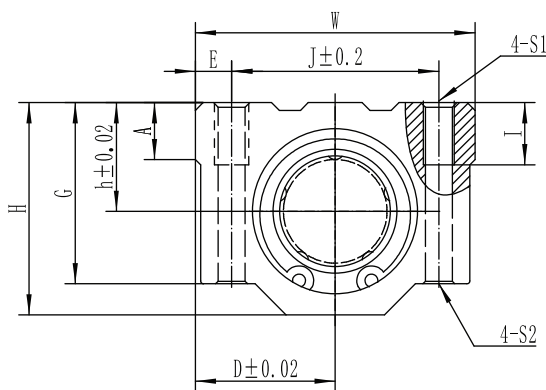


SCE-W SERIES

LONG HOUSED LINEAR BEARINGS

FEATURES

- Long type for increased rigidity
- Highly rigid aluminium housing
- European standard interchangeability
- Self-aligning
- Low friction
- Double rubber seal for corrosion resistance
- Easy mounting
- Low maintenance



Part No.	Installed L/B	C (N)	Co (N)	g	Shaft Dia	h	D	W	H	G	A	J	E	S ₁ XI	S ₂	KW	LW
SCE8WUU	2×LME8UU	410	800	98	∅8 ^{+0.008} ₀	11	17	34	22	18	6	24	5	M4X8	∅3.4	42	58
SCE12WUU	2×LME12UU	650	1180	232	∅12 ^{+0.008} ₀	15	22	44	30	24.5	8	33	5.5	M5X10	∅4.3	50	70
SCE16WUU	2×LME16UU	1230	2340	360	∅16 ^{+0.009} _{-0.001}	19	25	50	38.5	32.5	9	36	7	M5X12	∅4.3	60	85
SCE20WUU	2×LME20UU	1370	2740	490	∅20 ^{+0.009} _{-0.001}	21	27	54	41	35	11	40	7	M6X12	∅5.2	70	96
SCE25WUU	2×LME25UU	1560	3120	1100	∅25 ^{+0.011} _{-0.001}	26	38	76	51.5	41	12	54	11	M8X18	∅6.8	100	130
SCE30WUU	2×LME30UU	2490	5480	1525	∅30 ^{+0.011} _{-0.001}	30	39	78	59.5	49	15	58	10	M8X18	∅6.8	110	140
SCE40WUU	2×LME40UU	3440	8020	3400	∅40 ^{+0.013} _{-0.002}	40	51	102	78	62	20	80	11	M10X25	∅8.6	140	175
SCE50WUU	2×LME50UU	6110	15860	5920	∅50 ^{+0.013} _{-0.002}	52	61	122	102	80	24	100	11	M10X25	∅8.6	160	215

