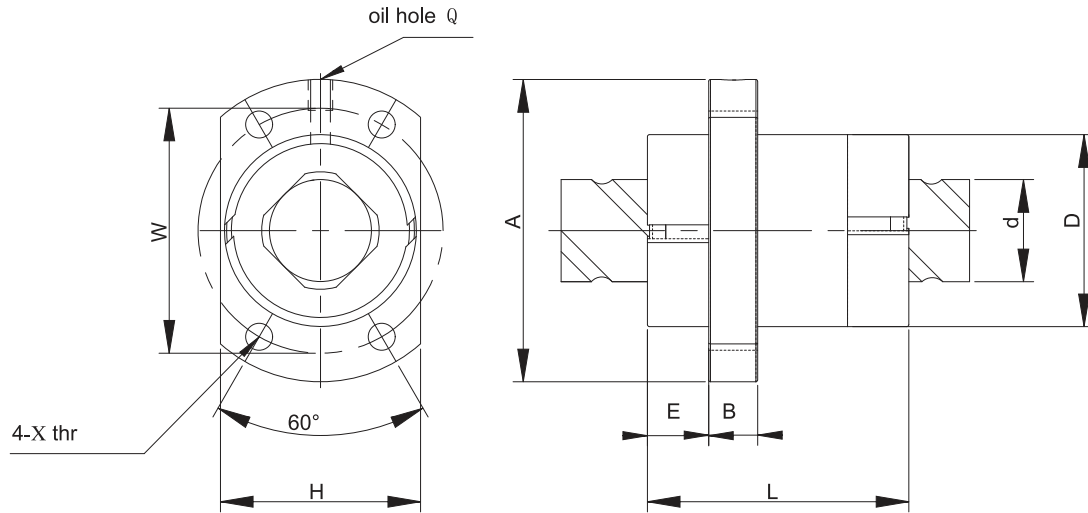


2-7 Size Table of SFY Ball Screws



I:Lead Da:Ball Diameter n:Number of Circuits K:Stiffness(Kgf/μm)

Ca:Basic Dynamic Rating Load(Kgf) Coa: Basic Static Rating Load(Kgf)

单位:mm

Model no.	d	I	Da											Load Rating Ca(kgf)	Load Rating Coa(kgf)	K kgf/μm			
				D	A	E	B	L	W	H	X	Q	n						
SFY1616-3.6	16	16	2.778	32	53	10	10	45	42	34	4.5	M6*1	1.8*2	886	1994	24			
SFY1632-1.6		32						42.5					0.8*2				419	915	10
SFY2020-3.6	20	20	3.175	39	62	13	10	52	50	41	5.5	M6*1	1.8*2	1187	2894	30			
SFY2040-1.6		40						50					0.8*2				556	1311	12
SFY2040-3.6		90						1.8*2					1117				2949	26	
SFY2525-3.6	25	25	3.969	47	74	15	12	64	60	49	6.6	M6*1	1.8*2	1773	4524	37			
SFY2525-5.6								89					2.8*2				2593	7038	56
SFY2550-1.6		50						60					0.8*2				832	2050	15
SFY2550-3.6								110					1.8*2				1671	4612	33
SFY3232-3.6	32	32	4.762	58	92	17	12	78	74	60	9	M6*1	1.8*2	2508	6848	45			
SFY3232-5.6								110					2.8*2				3667	10652	68
SFY3264-1.6		64						0.8*2					1172				3084	18	
SFY4040-3.6	40	40	6.35	73	114	19.5	15	99	93	75	11	M6*1	1.8*2	4131	11587	57			
SFY4040-5.6								139					2.8*2				6040	18024	86
SFY4080-1.6		80						0.8*2					1939				5253	23	
SFY5050-3.6	50	50	7.938	90	135	21.5	20	117	112	92	14	M6*1	1.8*2	6185	18032	70			
SFY5050-5.6								167					2.8*2				9044	28049	106
SFY50100-1.6		100						0.8*2					2803				7793	27	

