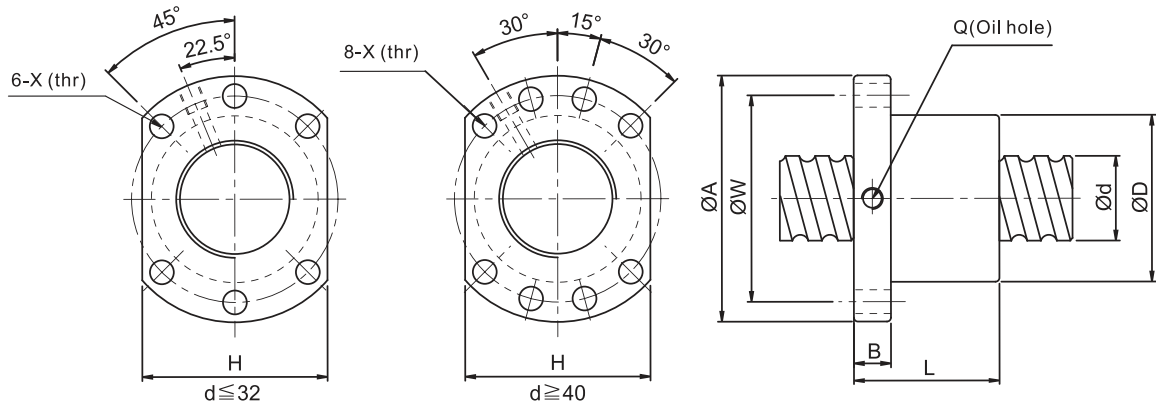


2-3 Size Table of SFNU Ball Screws



l:Lead Da:Ball Diameter n:Number of Circuits K:Stiffness(Kgf/ μ m)

Ca:Basic Dynamic Rating Load(Kgf) Coa: Basic Static Rating Load(Kgf)

Unit:mm

Modelno.	d	l	Da	Dimension									Load Rating Ca(kgf)	Load Rating Coa(kgf)	K kgf/ μ m
				D	A	B	L	W	H	X	Q	n			
SFNU1204-4	12	4	2.5	24	40	10	40	32	30	4.5	M6*1	4	572	1015	16
SFNU1604-4	16	4	2.381	28	48	10	40	38	40	5.5	M6*1	4	655	1417	21
SFNU1605-4		3.175	28	48	10	45	38	40	5.5	M6*1	4	919	1789	21	
SFNU1610-3		10	3.175	28	48	10	57	38	40	5.5	M6*1	3	669	1223	14
SFU2004-3	20	4	2.381	36	58	10	42	47	44	6.6	M6*1	3	589	1436	20
SFNU2005-3		5	3.175	36	58	10	42	47	44	6.6	M6*1	3	831	1782	20
SFNU2005-4		3.175	36	58	10	51	47	44	6.6	M6*1	4	1065	2376	26	
SFU2504-4	25	4	2.381	40	62	10	42	51	48	6.6	M6*1	4	891	2447	25
SFNU2505-3		5	3.175	40	62	10	42	51	48	6.6	M6*1	3	953	2334	25
SFNU2505-4		3.175	40	62	10	51	51	48	6.6	M6*1	4	1137	2830	30	
SFNU2510-3	25	10	4.762	40	62	12	70	51	48	6.6	M6*1	3	1399	2786	22
SFNU2510-4			4.762	40	62	12	80	51	48	6.6	M6*1	4	1792	3714	28
SFNU3205-4	32	5	3.175	50	80	12	52	65	62	9	M6*1	4	1313	3861	37
SFNU3210-3		10	6.35	50	80	12	74	65	62	9	M6*1	3	2499	5366	30
SFNU3210-4			6.35	50	80	12	85	65	62	9	M6*1	4	3201	7154	40
SFNU4005-4	40	5	3.175	63	93	14	55	78	70	9	M8*1	4	1477	5042	46
SFU4010-3		10	6.35	63	93	14	71	78	70	9	M8*1	3	2895	7127	38
SFNU4010-4			6.35	63	93	14	88	78	70	9	M8*1	4	3707	9503	50
SFNU5010-4	50	10	6.35	75	110	16	88	93	85	11	M8*1	4	4219	12450	21
SFNU6310-4	63	10	6.35	90	125	18	93	108	95	11	M8*1	4	4815	16576	76
SFU6320-4		20	9.525	95	135	20	149	115	100	13.5	M8*1	4	7901	22662	77
SFU8010-4	80	10	6.35	105	145	20	98	125	110	13.5	M8*1	4	5336	21320	91
SFU8020-4		20	9.525	125	165	25	143	145	130	13.5	M8*1	4	9123	30621	96

