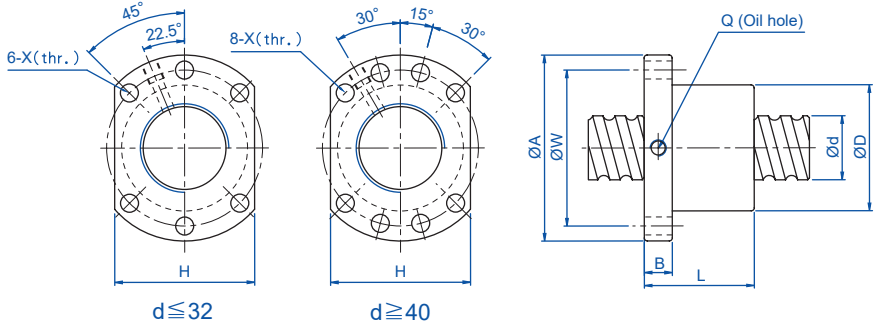




IN PARTNERSHIP WITH



SFNU/SFU (DIN 69051 FORM B) Series Specifications



Unit : mm

Model No.	d	l	Da	Dimension									Load Rating		K kgf/ μm
				D	A	B	L	W	H	X	Q	n	Ca (kgf)	C0a (kgf)	
SFNU01605-4★	16	5	3.175	28	48	10	45	38	40	5.5	M6	1x4	1380	3052	32
SFNU01610-3		10	3.175	28	48	10	57	38	40	5.5	M6	1x3	1103	2401	26
SFNU02005-4★	20	5	3.175	36	58	10	51	47	44	6.6	M6	1x4	1551	3875	39
SFNU02505-4★	25	5	3.175	40	62	10	51	51	48	6.6	M6	1x4	1724	4904	45
SFNU02510-4		10	4.762	40	62	12	80	51	48	6.6	M6	1x4	2954	7295	50
SFNU03205-4★	32	5	3.175	50	80	12	52	65	62	9	M6	1x4	1922	6343	54
SFNU03210-4★		10	6.35	50	80	12	85	65	62	9	M6	1x4	4805	12208	61
SFNU04005-4★	40	5	3.175	63	93	14	55	78	70	9	M8	1x4	2110	7988	63
SFNU04010-4★		10	6.35	63	93	14	88	78	70	9	M8	1x4	5399	15500	73
SFNU05010-4★●	50	10	6.35	75	110	16	88	93	85	11	M8	1x4	6004	19614	85
SFNU06310-4●	63	10	6.35	90	125	18	93	108	95	11	M8	1x4	6719	25358	99
SFNU06320-4●	63	20	9.525	95	135	20	149	115	100	13.5	M8	1x4	11444	36653	112
SFNU08010-4●	80	10	6.35	105	145	20	93	125	110	13.5	M8	1x4	7346	31953	109
SFNU08020-4●	80	20	9.525	125	165	25	154	145	130	13.5	M8	1x4	12911	47747	138
SFU01204-4	12	4	2.5	24	40	10	40	32	30	4.5		1x4	902	1884	26
SFU01604-4	16	4	2.381	28	48	10	40	38	40	5.5	M6	1x4	973	2406	32
SFU02004-4	20	4	2.381	36	58	10	42	47	44	6.6	M6	1x4	1066	2987	38
SFU02504-4	25	4	2.381	40	62	10	42	51	48	6.6	M6	1x4	1180	3795	43
SFU03204-4	32	4	2.381	50	80	12	44	65	62	9	M6	1x4	1296	4838	51
SFU10020-4●	100	20	9.525	150	202	30	180	170	155	17.5	M8	1x4	14303	60698	162

※ ★ Left helix available    ※ Please contact KIWI MOTION if the marked types ( ● ) are required.  
 ※ Standard ball nut SFU01204-4 is assembled without wiper.