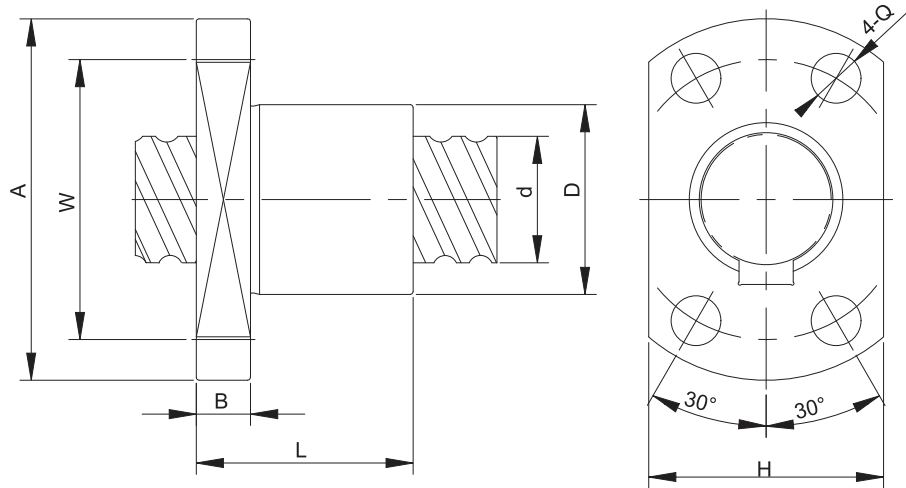


## 2-6 Size Table of SFK Ball Screws



I:Lead Da:Ball Diameter n:Number of Circuits K:Stiffness(Kgf/μm)  
 Ca:Basic Dynamic Rating Load(Kgf) Coa: Basic Static Rating Load(Kgf)

Unit:mm

Model no.	d	l	Da	Dimension								Load Rating Ca(kgf)	Load Rating Coa(kgf)	K kgf/μm
				D	A	B	L	W	H	X	n			
SFK0601-4	6	1	0.8	12	24	4	14	18	16	3.4	1*4	93	170	12
SFK0801-4	8	1	0.8	14	27	4	14	21	18	3.4	1*4	110	245	16
SFK0802-4		2	1.2	14	27	5	24	21	18	3.4	1*4	183	340	16
SFK1002-4	10	2	1.2	18	35	5	24	27	22	4.5	1*4	214	466	21
SFK1202-4	12	2	1.2	20	37	5	24	29	24	4.5	1*4	234	572	24
SFK1204-4	12	4	2.5	24	40	6	28	32	25	3.5	1*3	521	861	28
SFK1402-4	14	2	1.2	21	40	6	24	31	26	5.5	1*4	251	677	28

