

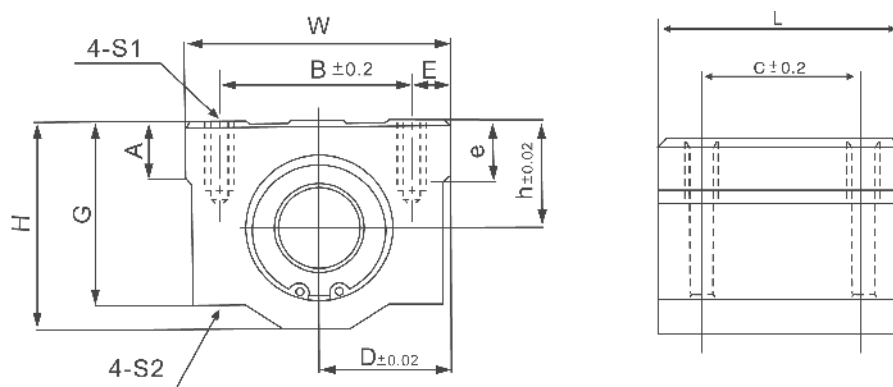


## SCE SERIES

### HOUSED LINEAR BEARINGS

#### FEATURES

- Highly rigid aluminium housing
- European standard interchangeability
- Self-aligning
- Low friction
- Double rubber seal for corrosion resistance
- Easy mounting
- Low maintenance



Type	Shaft Ø	h	D	W	L	H	G	A	B	C	E	S1xe	S2	Weight	Load Ratings (N)	
	(mm)													(g)	C	Co
SCE10UU	10	13	20	40	35	26	21	8	28	21	6	M5x12	4,3	92	260	400
SCE12UU	12	15	22	44	39	30	24,5	8	33	26	5,5	M5x12	4,3	120	410	590
SCE16UU	16	19	25	50	44	38,5	32,5	9	36	34	7	M5x12	4,3	200	770	1170
SCE20UU	20	21	27	54	53	41	35	11	40	40	7	M6x12	5,2	270	860	1370
SCE25UU	25	26	38	76	67	51,5	42	12	54	50	11	M8x18	7	600	980	1560
SCE30UU	30	30	39	78	76	59,5	49	15	58	58	10	M8x18	7	776	1560	2740
SCE40UU	40	40	51	102	90	78	62	20	80	60	11	M10x25	8,7	1590	2150	4010
SCE50UU	50	52	61	122	110	102	80	25	100	80	11	M10x25	8,7	3340	3820	7930

