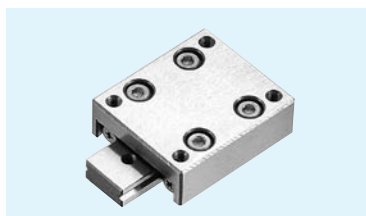
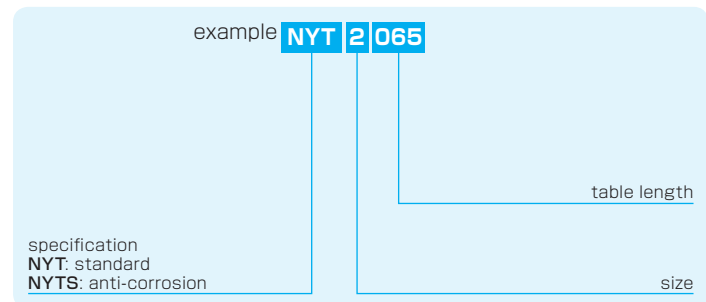


# NYT TYPE

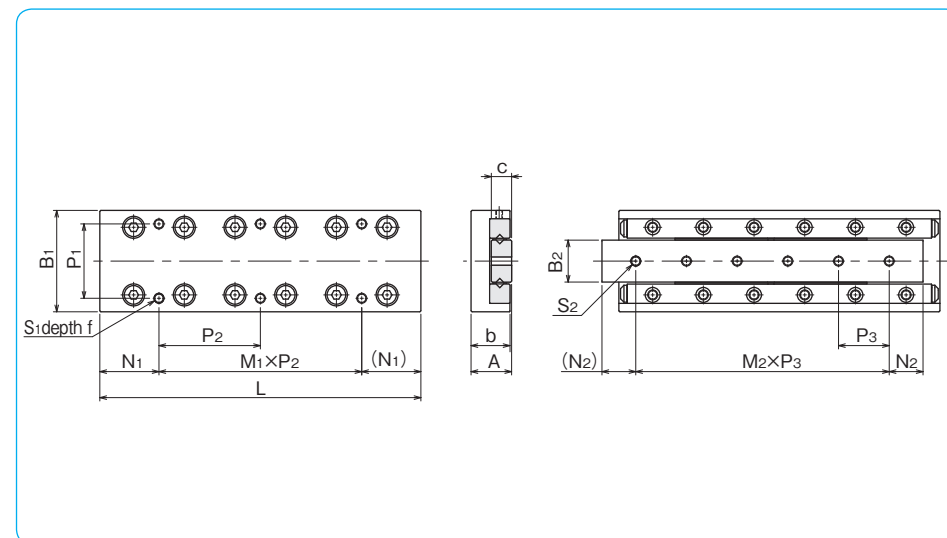


## part number structure



part number		stroke	major dimensions						table-top mounting hole dimensions				
standard	anti-corrosion	ST mm	A mm	B <sub>1</sub> mm	L mm	b mm	B <sub>2</sub> mm	c mm	P <sub>1</sub> mm	S <sub>1</sub> mm	f mm	N <sub>1</sub> mm	M <sub>1</sub> ×P <sub>2</sub> mm
<b>NYT 1025</b>	<b>NYTS 1025</b>	12	8±0.1	20±0.1	25	7.5	6.6	4	14	M2.6	3	3.5	1×18
<b>1035</b>	<b>1035</b>	18			35							1×28	
<b>1045</b>	<b>1045</b>	25			45							1×20	
<b>1055</b>	<b>1055</b>	32			55							1×30	
<b>1065</b>	<b>1065</b>	40			65							2×20	
<b>1075</b>	<b>1075</b>	45			75							1×30	
<b>1085</b>	<b>1085</b>	50			85							2×30	
<b>NYT 2035</b>	<b>NYTS 2035</b>	18	12±0.1	30±0.1	35	11.5	12.4	6	22	M3	5	3.5	1×28
<b>2050</b>	<b>2050</b>	30			50							1×43	
<b>2065</b>	<b>2065</b>	40			65							1×30	
<b>2080</b>	<b>2080</b>	50			80							1×45	
<b>2095</b>	<b>2095</b>	60			95							2×30	
<b>2110</b>	<b>2110</b>	70			110							1×45	
<b>2125</b>	<b>2125</b>	80			125							2×45	
<b>NYT 3055</b>	<b>NYTS 3055</b>	30	16±0.1	40±0.1	55	15.5	16.7	8	30	M4	7	7.5	1×40
<b>3080</b>	<b>3080</b>	45			80							1×65	
<b>3105</b>	<b>3105</b>	60			105							1×50	
<b>3130</b>	<b>3130</b>	75			130							1×75	
<b>3155</b>	<b>3155</b>	90			155							2×50	
<b>3180</b>	<b>3180</b>	105			180							1×75	
<b>3205</b>	<b>3205</b>	130			205							2×75	

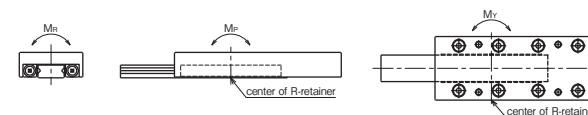
The basic static load rating is the value at the center of the stroke.



S <sub>2</sub>	bed-surface mounting hole dimensions			accuracy ※(deviation)		basic load rating		allowable load F N	allowable static moment			mass g	size
	N <sub>2</sub> mm	M <sub>2</sub> ×P <sub>3</sub> mm	S <sub>2</sub> mm	T μm	S μm	dynamic C N	static C <sub>0</sub> N		M <sub>P</sub> N·m	M <sub>Y</sub> N·m	M <sub>R</sub> N·m		
M2.6	5	2×7.5	2	4	734	849	283	3.73	3.18	3.18	25	<b>1025</b>	
	7.5	2×10	2	4	1,250	1,690	566	1.77	4.24	1.07	35	<b>1035</b>	
	7.5	3×10	2	5	1,720	2,540	849	9.09	10.3	4.26	45	<b>1045</b>	
	7.5	4×10	2	5	2,160	3,390	1,130	14.1	16.7	5.33	55	<b>1055</b>	
	7.5	5×10	2	5	2,560	4,240	1,410	24.9	26.7	8.52	65	<b>1065</b>	
	7.5	6×10	2	5	2,960	5,090	1,690	33.1	36.7	9.59	76	<b>1075</b>	
	7.5	7×10	2	5	3,330	5,940	1,980	47.8	50.7	12.7	86	<b>1085</b>	
M3	7.5	1×20	2	4	1,360	1,520	509	10.1	8.80	9.93	84	<b>2035</b>	
	10	2×15	2	4	2,330	3,050	1,010	18.9	18.7	13.4	120	<b>2050</b>	
	10	3×15	2	5	3,190	4,580	1,520	36.9	35.7	23.4	157	<b>2065</b>	
	10	4×15	2	5	3,990	6,110	2,030	53.2	53.8	26.9	190	<b>2080</b>	
	10	5×15	2	5	4,740	7,630	2,540	80.3	79.9	36.9	225	<b>2095</b>	
	10	6×15	2	5	5,460	9,160	3,050	104	106	40.4	265	<b>2110</b>	
	10	7×15	2	5	6,160	10,600	3,560	130	135	44.0	305	<b>2125</b>	
M4	10	1×35	2	5	6,150	8,060	2,680	20.8	37.2	17.0	228	<b>3055</b>	
	15	2×25	2	5	8,440	12,100	4,030	125	119	87.2	345	<b>3080</b>	
	15	3×25	3	5	10,500	16,100	5,370	188	186	104	450	<b>3105</b>	
	15	4×25	3	5	14,400	24,200	8,060	300	319	121	570	<b>3130</b>	
	15	5×25	3	5	16,300	28,200	9,410	508	505	191	665	<b>3155</b>	
	15	6×25	3	5	18,100	32,200	10,700	630	635	208	780	<b>3180</b>	
	15	7×25	3	5	19,800	36,300	12,100	763	779	225	890	<b>3205</b>	

※For accuracy (T, S), refer to Figure G-22 (page G-29).

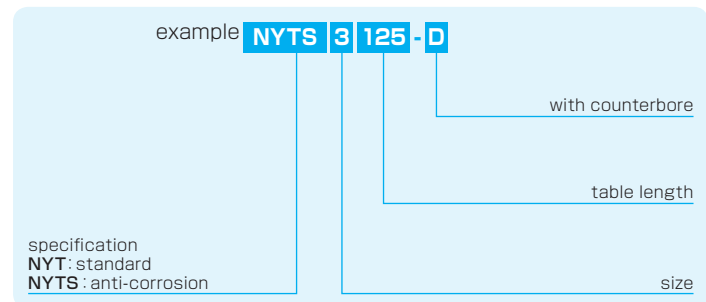
1N≒0.102kgf 1N·m≒0.102kgf·m



# NYT-D TYPE

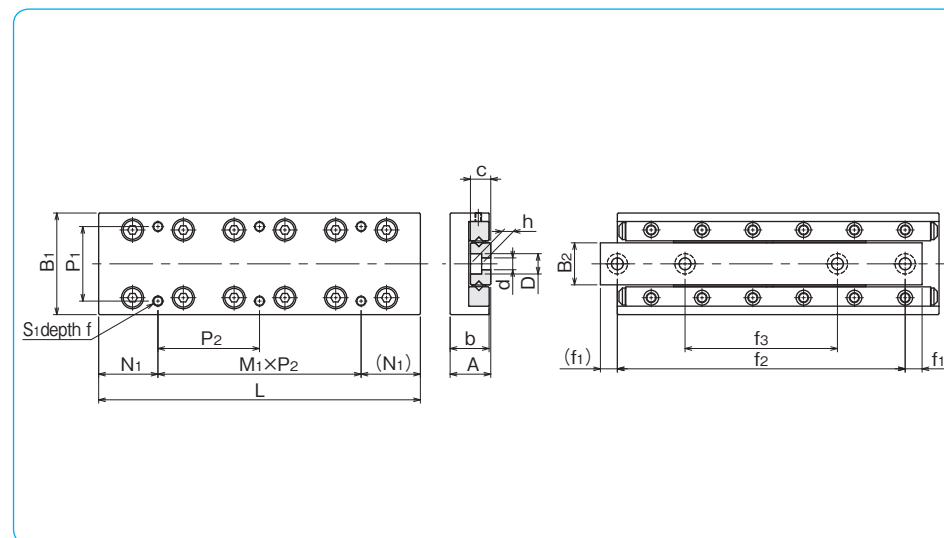


## part number structure



part number		stroke ST mm	major dimensions						table-top mounting hole dimensions				
standard	anti-corrosion		A	B <sub>1</sub>	L	b	B <sub>2</sub>	c	P <sub>1</sub>	S <sub>1</sub>	f	N <sub>1</sub>	M <sub>1</sub> ×P <sub>2</sub>
NYT 1025-D	NYTS 1025-D	12	8±0.1	20±0.1	25	7.5	6.6	4	14	M2.6	3	3.5	1×18
1035-D	1035-D	18			35							12.5	1×20
1045-D	1045-D	25			45							12.5	1×20
1055-D	1055-D	32			55							12.5	1×30
1065-D	1065-D	40			65							12.5	2×20
1075-D	1075-D	45			75							22.5	1×30
1085-D	1085-D	50			85							12.5	2×30
NYT 2035-D	NYTS 2035-D	18			12±0.1							30±0.1	35
2050-D	2050-D	30	50	3.5		1×43							
2065-D	2065-D	40	65	17.5		1×30							
2080-D	2080-D	50	80	17.5		1×45							
2095-D	2095-D	60	95	17.5		2×30							
2110-D	2110-D	70	110	32.5		1×45							
2125-D	2125-D	80	125	17.5		2×45							
NYT 3055-D	NYTS 3055-D	30	16±0.1	40±0.1		55	15.5	16.7	8	30	M4		7
3080-D	3080-D	45			80	7.5						1×65	
3105-D	3105-D	60			105	27.5						1×50	
3130-D	3130-D	75			130	27.5						1×75	
3155-D	3155-D	90			155	27.5						2×50	
3180-D	3180-D	105			180	52.5						1×75	
3205-D	3205-D	130			205	27.5						2×75	

The basic static load rating is the value at the center of the stroke.



bed-surface mounting hole dimensions d×D×h	bed-surface mounting hole dimensions			accuracy ※(deviation)		basic load rating		allowable load F N	allowable static moment			mass g	size
	f <sub>1</sub>	f <sub>2</sub>	f <sub>3</sub>	T μm	S μm	dynamic C N	static Co N		M <sub>P</sub> N·m	M <sub>Y</sub> N·m	M <sub>R</sub> N·m		
2.5×4.1×2.2	3.5	18	—	2	4	734	849	283	3.73	3.18	3.18	25	1025
	5	25	—	2	4	1,250	1,690	566	1.77	4.24	1.07	35	1035
	3.5	38	25	2	5	1,720	2,540	849	9.09	10.3	4.26	45	1045
	3.5	48	29	2	5	2,160	3,390	1,130	14.1	16.7	5.33	55	1055
	5	55	31	2	5	2,560	4,240	1,410	24.9	26.7	8.52	65	1065
	5	65	35	2	5	2,960	5,090	1,690	33.1	36.7	9.59	76	1075
	5	75	40	2	5	3,330	5,940	1,980	47.8	50.7	12.7	86	1085
	3.5×6×3.3	5	25	—	2	4	1,360	1,520	509	10.1	8.80	9.93	84
7.5		35	—	2	4	2,330	3,050	1,010	18.9	18.7	13.4	120	2050
5		55	33	2	5	3,190	4,580	1,520	36.9	35.7	23.4	157	2065
5		70	40	2	5	3,990	6,110	2,030	53.2	53.8	26.9	190	2080
5		85	45	2	5	4,740	7,630	2,540	80.3	79.9	36.9	225	2095
7.5		95	50	2	5	5,460	9,160	3,050	104	106	40.4	265	2110
7.5		110	55	2	5	6,160	10,600	3,560	130	135	44.0	305	2125
4.5×7.5×4.3		7.5	40	—	2	5	6,150	8,060	2,680	20.8	37.2	17.0	228
	6	68	43	2	5	8,440	12,100	4,030	125	119	87.2	345	3080
	7.5	90	55	3	5	10,500	16,100	5,370	188	186	104	450	3105
	7.5	115	65	3	5	14,400	24,200	8,060	300	319	121	570	3130
	7.5	140	95	3	5	16,300	28,200	9,410	508	505	191	665	3155
	7.5	165	85	3	5	18,100	32,200	10,700	630	635	208	780	3180
	7.5	190	90	3	5	19,800	36,300	12,100	763	779	225	890	3205

※For accuracy (T, S), refer to Figure G-22 (page G-29).

1N≒0.102kgf 1N·m≒0.102kgf·m

