

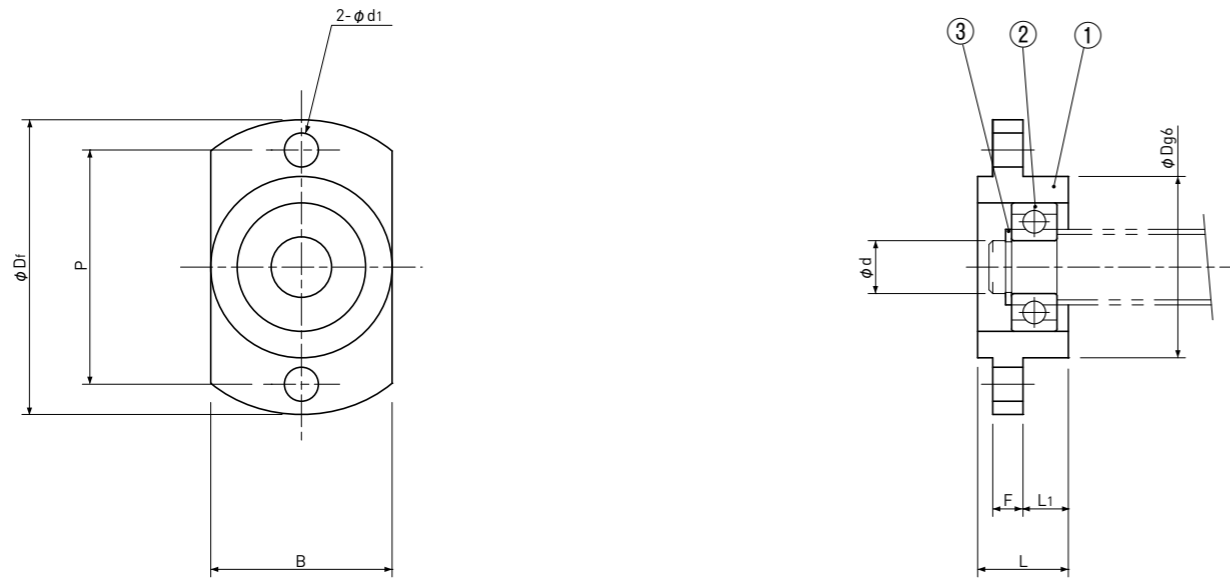
● Model number notation

MSU - 5 G S

① ② ③ ④

- ① Series No.
MSU : KSS Compact Support Unit Series
- ② Nominal number
- ③ Housing type
C : Pillow type
G : Flange type
- ④ End-journal type
None : fixed side
S : supported side

Note) In some cases, nominal number is not the same as Bearing Inner diameter.



Parts List

Part No.	Part name	Qty
1	Housing (Black Chrome coating)	1
2	Bearing (with Shields)	1
3	Stop ring	1

Unit:mm

Type	Brg. Inner dia. d 0 -0.005	L	F	L ₁	B	Df	D	P	d ₁	Bearing	Stop ring	Mass g	Type
MSU-3GS	2	8	3	3	11	23	11	17	3.5	602HZZ	ETW-1.5(OCHIAI)	7.5	MSU-3GS
MSU-4GS	3	10	3	5	14	26	14	20	3.5	623HZZ	G-3(IWATA)	12	MSU-4GS
MSU-5GS	4	10	3	5	17	29	17	23	3.5	624HZZ	G-4(IWATA)	16	MSU-5GS
MSU-6GS	6	10	4	5	19	34	19	26	4.5	B6-113HZZ1	STW-6(OCHIAI)	24	MSU-6GS
MSU-8GS	6	10	4	6	24	39	24	31	4.5	606HZZ1	STW-6(OCHIAI)	40	MSU-8GS

Note 1) Deep Groove Ball Bearing (manufactured by ISC) is designed for clean room use, it is made of Stainless steel with low contamination grease (NSK LG2) packed.

Note 2) Stop ring may be the equivalent one described in the table above.