

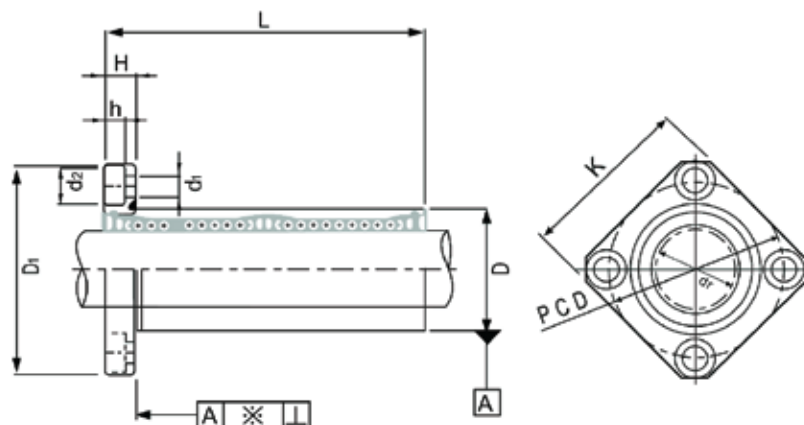


LMEK-L SERIES

STANDARD LONG FLANGED LINEAR BEARINGS

FEATURES

- Long type for increased rigidity
- European standard interchangeability
- Low friction
- Double rubber seal for corrosion resistance
- Easy mounting
- Low maintenance



Type	Ball circuit	dr		D		L (±0,3)	D1	PCD	H	K	d1xd2xh	Eccentricity (max.)	Radial clearance (max.)	Load		Weight
		(mm)	(µm)	(mm)	(µm)									(mm)	(µm)	
LMEK8LUU	4	8	+9	16	0/-13	46	32	24	5	25	3,5x6x3,1	15	-3	421	804	59
LMEK12LUU	4	12	+1	22	0	61	42	32	6	32	4,5x7,5x4,1		-4	813	1570	110
LMEK16LUU	5	16	+11	26	-16	68	46	36	6	35	4,5x7,5x4,1		921	1780	160	
LMEK20LUU	5	20	+1	32		80	54	43	8	42	5,5x9x5,1	17	-6	1370	2740	260
LMEK25LUU	6	25	+13	40	0/-19	112	62	51	8	50	5,5x9x5,1		1570	3140	540	
LMEK30LUU	6	30	-2	47		123	76	62	10	60	6,6x11x6,1	20	-8	2500	5490	815
LMEK40LUU	6	40	+16	62	0	151	98	80	13	75	9x14x8,1		3430	8040	1805	
LMEK50LUU	6	50	-4	75	-22	192	112	94	13	88	9x14x8,1	25	-13	6080	15900	2820
LMEK60LUU	6	60		90	0/-25	209	134	112	18	106	11x17x11,1		7550	20000	4920	

