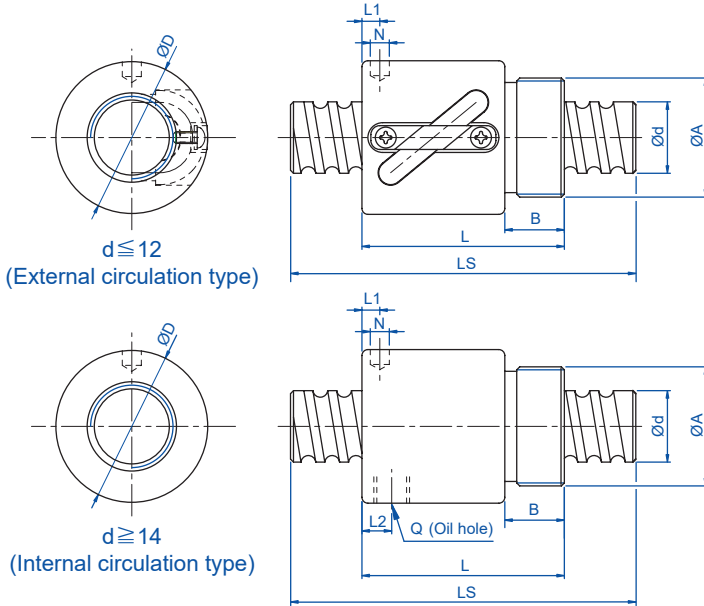




IN PARTNERSHIP WITH



## BSH Series Specifications



Unit : mm

Model No.	d	l	Da	Dimension									Ca (kgf)	C0a (kgf)	K kgf/ $\mu$ m
				D	A	B	L	L1	N	L2	Q	n			
BSH0082.5-2.5	8	2.5	1.2	17.5	M15x1P	7.5	23.5	10	3	—	—	2.5x1	189	381	11
BSH01002-3.5	10	2	1.2	19.5	M17x1P	7.5	22	3	3.2	—	—	3.5x1	277	664	17
BSH01004-2.5		4	2	25	M20x1P	10	34	3	3	—	—	2.5x1	400	754	14
BSH01204-3.5	12	4	2.5	25.5	M20x1P	10	34	13	3	—	—	3.5x1	804	1649	23
BSH01205-3.5		5	2.5	25.5	M20x1P	10	39	16.25	3	—	—	3.5x1	801	1644	24
BSH01404-3	14	4	2.5	32.1	M25x1.5P	10	35	11	3	—	—	1x3	748	1609	26
BSH01604-3	16	4	2.381	29	M22x1.5P	8	32	4	3.2	—	—	1x3	759	1804	24
BSH01605-3		5	3.175	32.5	M26x1.5P	12	42	19.25	3	—	—	1x3	1077	2289	25
BSH01610-2		10	3.175	32	M26x1.5P	12	50	3	4	3	M4	1x2	779	1601	14
BSH02005-3	20	5	3.175	38	M35x1.5P	15	45	20.3	3	—	—	1x3	1211	2906	30
BSH02505-4	25	5	3.175	43	M40x1.5P	19	69	32.11	3	8	M6	1x4	1724	4904	37
BSH02510-4		10	4.762	43	M40x1.5P	19	84	8	6	8	M6	1x4	2954	7295	41

※ Standard ballnut from  $\varnothing 8$ - $\varnothing 16$  is assembled without wiper.